

Technical Information

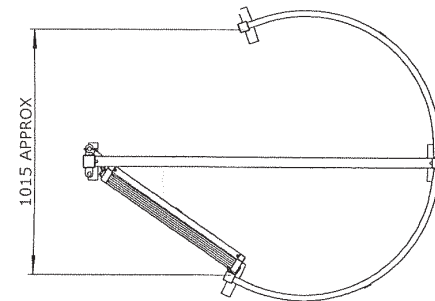
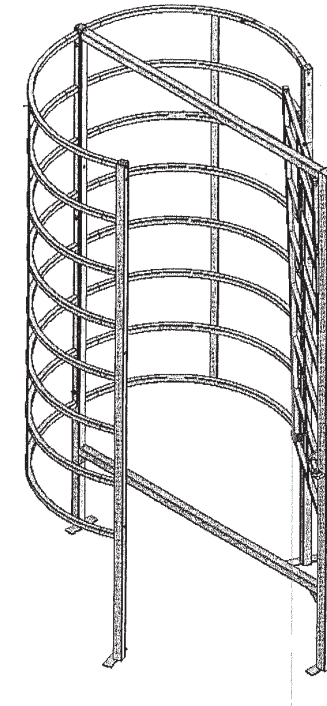
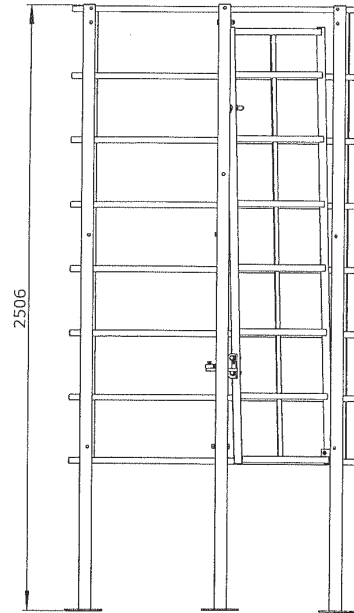
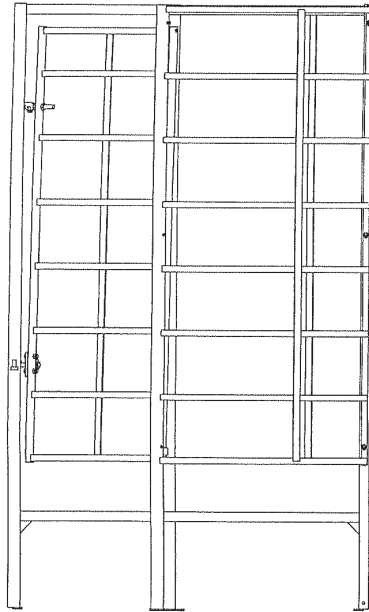
CHEQUERS KISSING GATE

Tel: 01782 339348 Fax: 01782 339349

sales@centrewire.com

www.centrewire.com

Mossfield Road, Adderley Green, Longton, Stoke-on-Trent, ST3 5BW



If you need any further advice/guidance regarding the installations of any of our products please contact the office.

Centrewire®