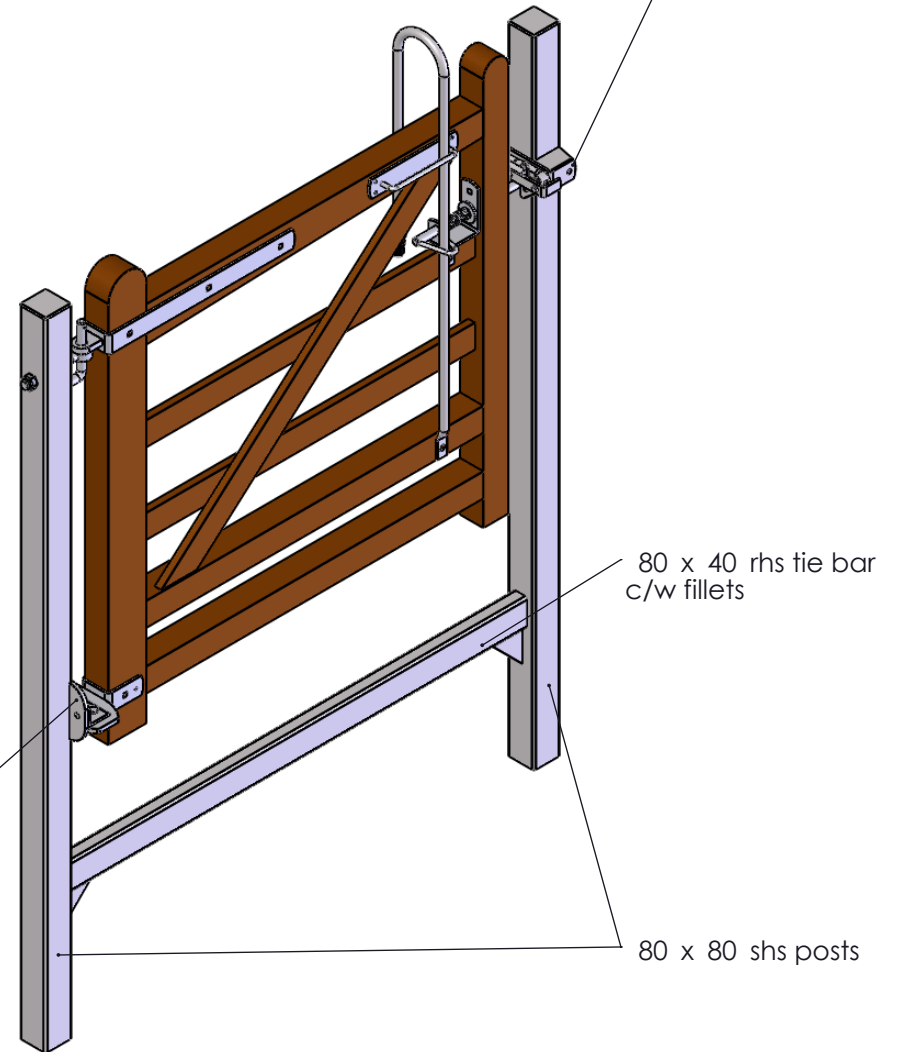


centrewire two way catch
integrated into new H-frame design



Centrewire

Mossfield Road,
Adderley Green, Longton,
Stoke-on-Trent, Staffs.
ST3 5BW
TEL: 01782 339348
FAX: 01782 339349
email: sales@centrewire.com
web: www.centrewire.com

TITLE

Denstone Two Way Pedestrian gate in steel H-frame

SCALE N.T.S



CLIENT

DRAWN
PED

CHECKED

DATE
20/06/2011

DRG No. 013362-01

REV. .